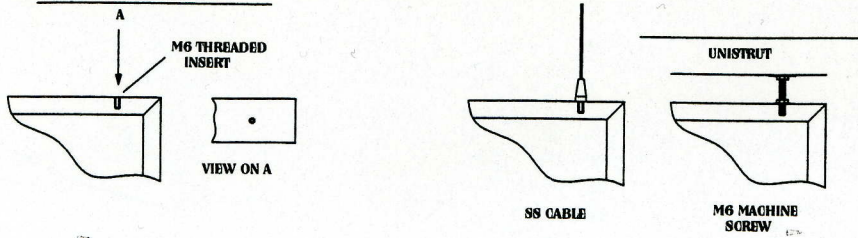
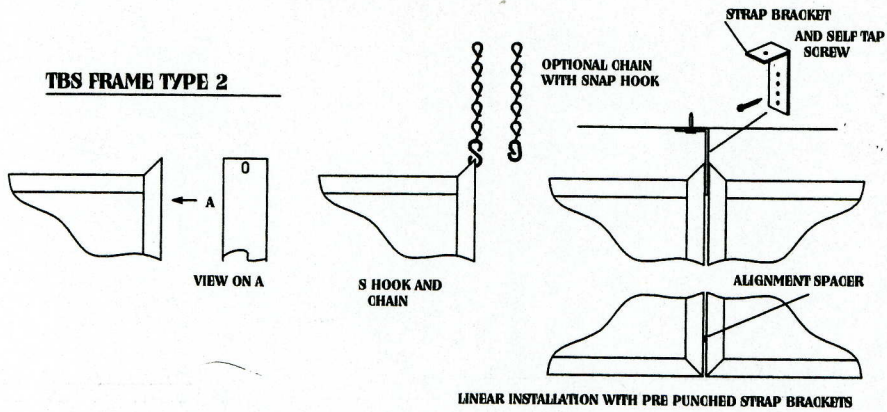


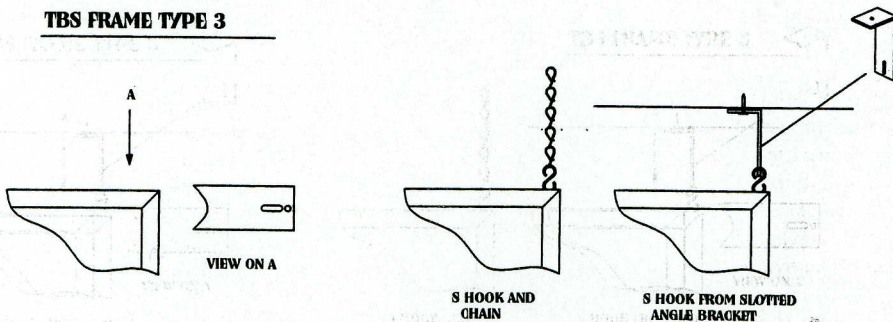
TBS FRAME TYPE 1



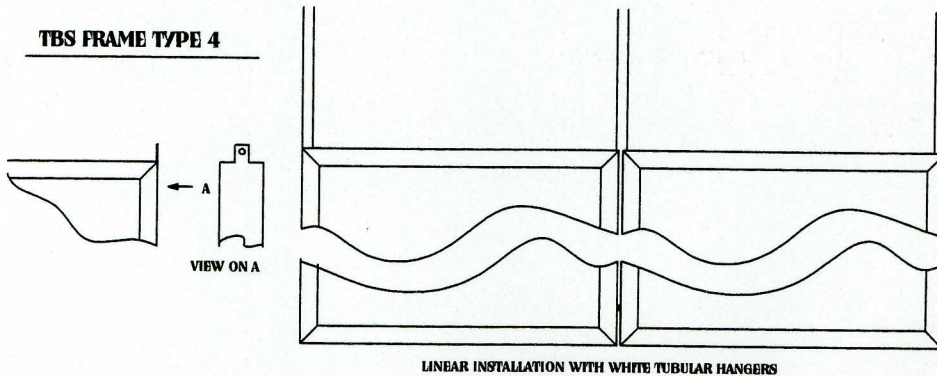
TBS FRAME TYPE 2



TBS FRAME TYPE 3



TBS FRAME TYPE 4



acousticabs

Industrial Noise Control Ltd

Unit 52, Pocklington Industrial Estate, Pocklington, York YO42 1NR

Tel: (01759) 305266 Fax: (01759) 305268

Email: info@acousticabs.com

Project: TBS Baffle

Date: 14.08.13.

Detail: Typical Installation Methods

Scale: NTS

Drg.No. ABF/12