

HA/W Acoustic Baffle



HA/W Baffles fitted to a ceiling (1200 dia disc)

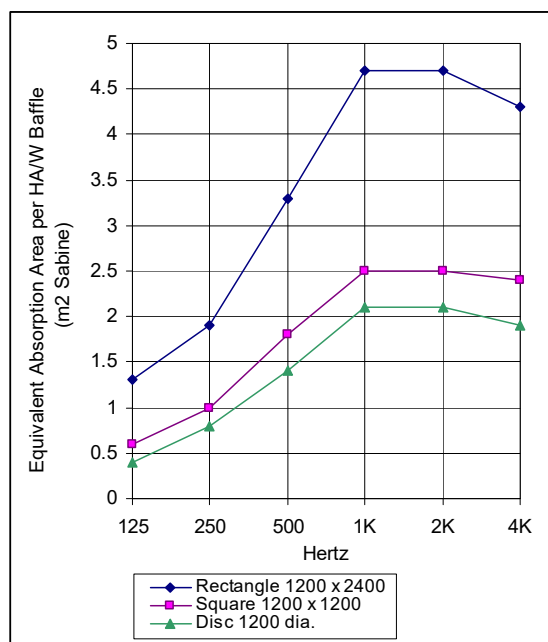
Application

HA/W Baffles combine dramatic appearance with excellent acoustic performance. They allow the transformation of the acoustics of new and existing buildings whilst leaving the main features of the existing soffit exposed.

Rectangular HA/W Baffles can be suspended vertically as a free hanging baffle system. Alternatively, larger HA/W Baffles – squares, discs and rectangles – are suspended horizontally as acoustic rafts either tight to the ceiling or on cables to create a 3D effect. The large panels are also designed for use as high level wall absorbers to complement roof mounted systems. Typical applications include conversion of existing high roof buildings, atria, office and schools with thermal mass ceilings, cafes, bars and restaurants.

Acoustic Performance

Performance is stated as the equivalent absorption area per HA/W Baffle suspended horizontally 400mm below the ceiling. Performance for baffles mounted closer together would be marginally reduced.



Description

HA/W Baffles are standard modules manufactured from a rigid acoustic glass fibre core panel. The face and all edges are specially reinforced and painted so that baffles can be viewed from all angles.

Installation

Vertical HA/W Baffles are installed from cables or are clipped to a grid system. Horizontal HA/W Baffles are suspended using SS cable hangers fixed to the soffit above. Alternatively, they can be fixed using concealed rigid brackets which allow tight up fixing or spaced fixing to the soffit or wall. Baffles can be installed at different levels and in overlapping patterns where this is a requirement. Perimeter trims are not required.

Finish

HA/W Baffles are painted front and rear and on all edges with white micro porous paint. A range of alternative colours is also available.

Cleaning

HA/W Baffles are cleaned by brushing, vacuum cleaning or sponging with warm water and mild detergent.

Fire Performance

All components of HA/W Baffles are rated Class 0 under UK Building Regulations.

Sizes

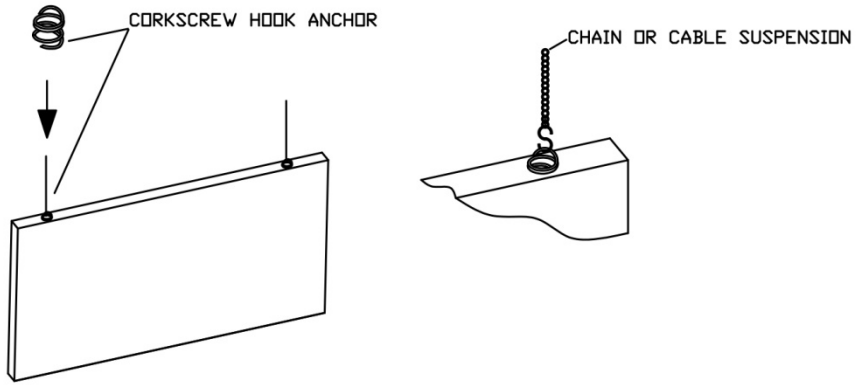
HA/W Acoustic Baffles are 40mm thick. Standard sizes are as follows:

- Square: 1200 x 1200
- Rectangles: 1200 x 2400
- 1200 x 600 (vertical type)
- 1200 x 300 (vertical type)
- Discs: 1200 / 800 diameter

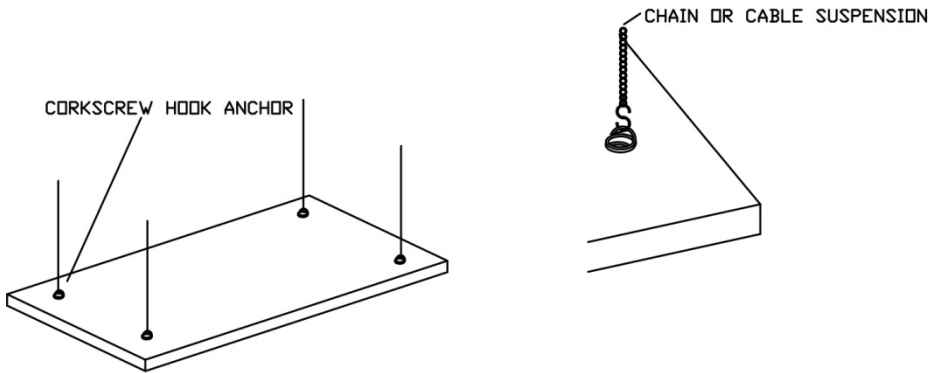


HA/W Squares mounted on atrium walls

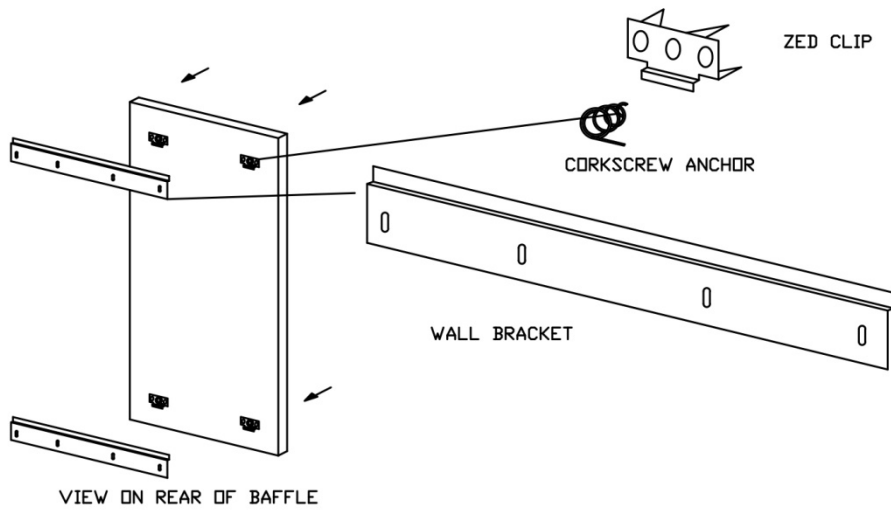
HAW BAFFLE- INSTALLATION GUIDE



VERTICALLY SUSPENDED FIXING



HORIZONTALLY SUSPENDED FIXING



DIRECT FIXING TO WALL OR CEILING
VIA CLIPS AND BRACKETS