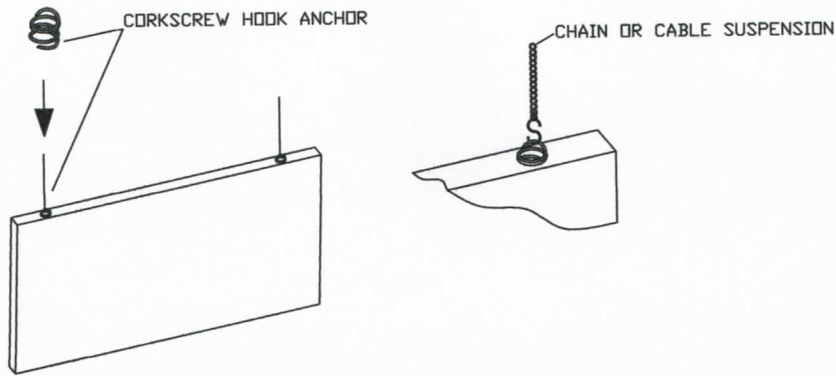
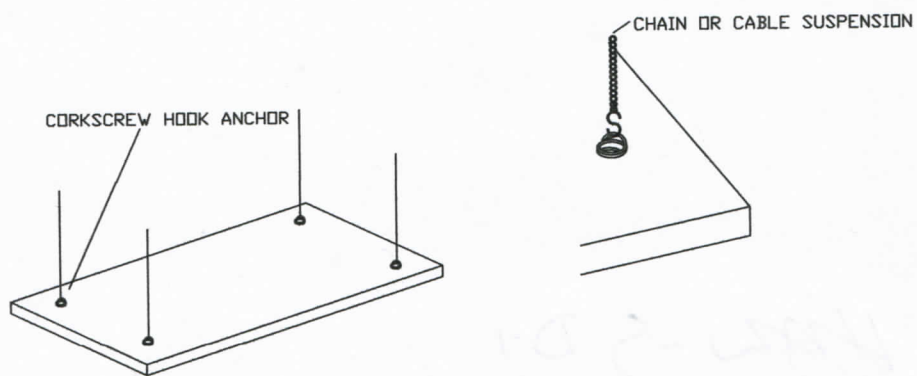


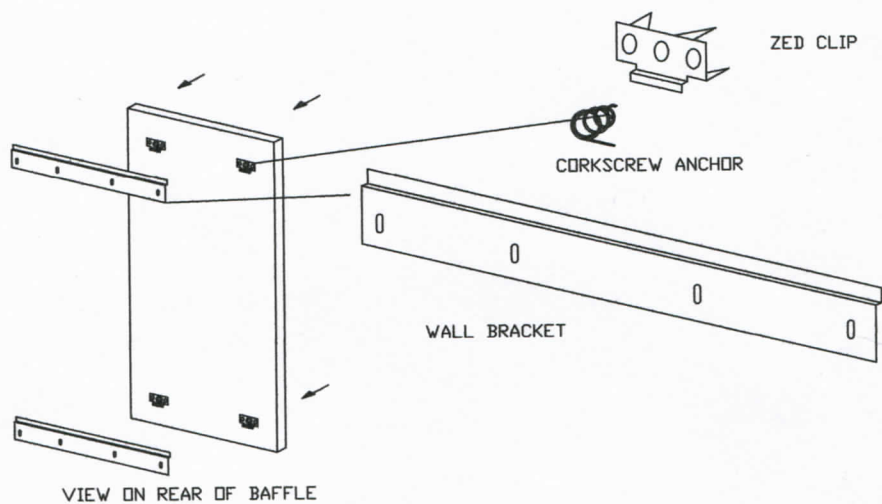
HAW BAFFLE- INSTALLATION GUIDE



VERTICALLY SUSPENDED FIXING



HORIZONTALLY SUSPENDED FIXING



DIRECT FIXING TO WALL OR CEILING
VIA CLIPS AND BRACKETS

acousticabs

Industrial Noise Control Ltd

Unit 52, Pocklington Industrial Estate, Pocklington, York YO42 1NR

Tel: (01759) 305266 Fax: (01759) 305268 Email: info@acousticabs.com

Customer: HA/W Acoustic Baffle

Project: General Installation Alternatives

Date: 01/09/2015

Detail:

Scale: NTS

Drg.No. HAW/GD/1