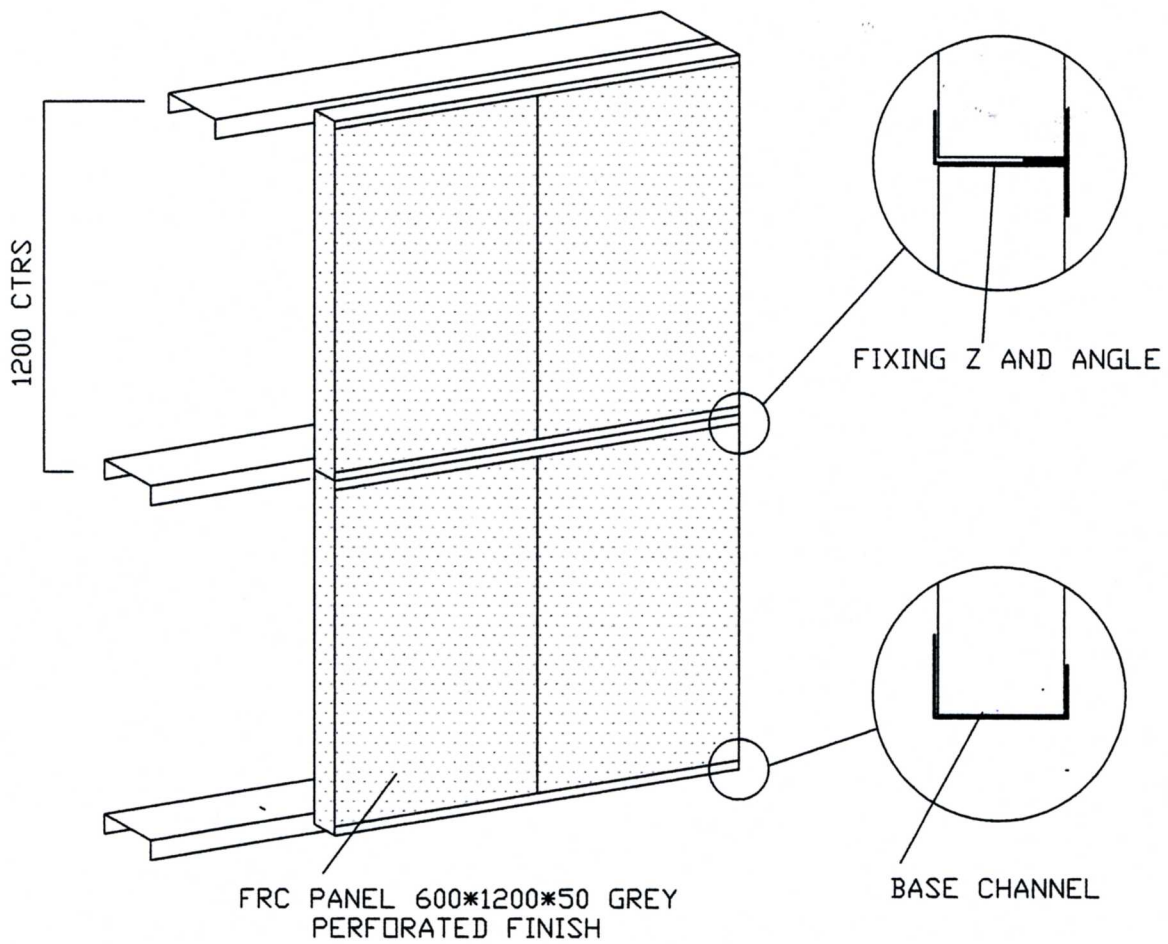


INSTALLATION OF FRC 50 PANELS
TO SHEETING RAILS



acousticabs Industrial Noise Control Ltd

Unit 52, Pocklington Industrial Estate, Pocklington, York YO42 1NR

Tel: (01759) 305266

Fax: (01759) 305268

Email: info@acousticabs.com

Customer:

Project: RC Panels

Date: 06.12.10.

Detail: Fixing to Sheeting Rails

Scale: NTS

Drg.No. GD/RC1